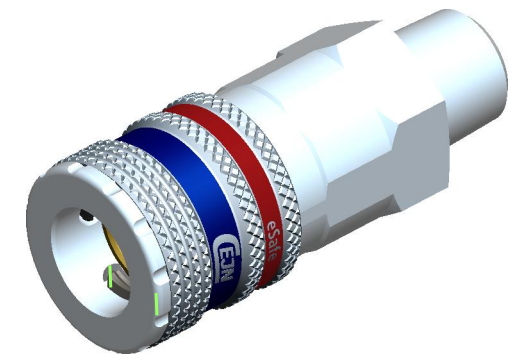
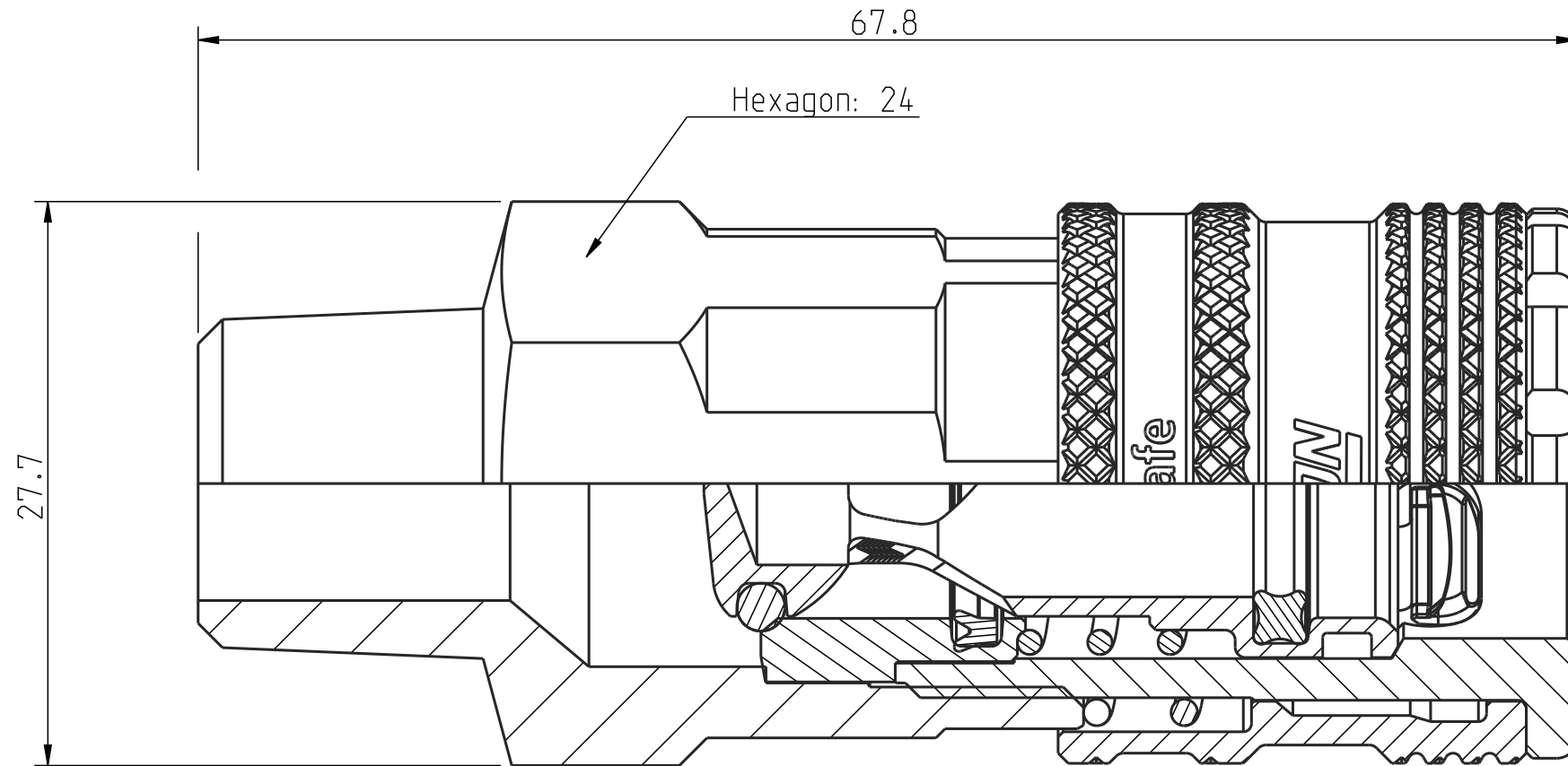
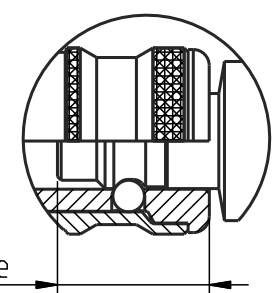


Diese Zeichnung darf weder ganz noch teilweise ohne unsere ausdrückliche Genehmigung kopiert oder auf andere Weise vervielfältigt werden. Alle Rechte vorbehalten.

Denna handling får ej utan vårt medgivande delges annan, kopieras eller eljest obehörigen användas. Överlåtelse härvid beivras med stöd av gällande lag. This document must not be copied, either completely or in part, without permission. Any infringement will have legal consequences.



1:1



| | | | |
|----|---|----------------|------------------------------|
| 11 | 1 | Valve seat | Brass |
| 10 | 1 | Valve | Brass |
| 9 | 1 | Spring | Stainless steel |
| 8 | 1 | Spring | Stainless steel |
| 7 | 1 | QUAD-Ring | NBR |
| 6 | 1 | O-ring | NBR |
| 5 | 1 | Locking sleeve | Hard. Steel, Zn 8 silver |
| 4 | 1 | Lip seal | NBR |
| 3 | 3 | Hook | Hard. Steel, Zn-Ni 8 transp. |
| 2 | 1 | Front part | Hard. Steel Zn 8 Silver |
| 1 | 1 | Back part | Steel, Zn 8 Silver |

| Detalj Item | Antal Quant. | Benämning Description | Material Material |
|------------------------|--------------|-----------------------|-------------------|
| Skala Scale | | 3:1 | Ritad Drawn |
| Godk. Appr. | | CABLHE | Kontr. Checked |
| Godk. Appr. | | OG | Alt. no. 10580 |
| Ritning nr/Drawing No. | | 50_410_2154 | |
| Utg./Issue | | AA | |

| | |
|-------------------------|------------------|
| Product no: 10_410_2154 | |
| DN: | 10,4 mm |
| Connection stroke: | 18,9 mm |
| Max WP connected: | 16 bar |
| Min BP connected: | 140 bar |
| Temperature range: | +100 °C - -20 °C |
| Connection: | R 3/8" Male |
| Sealing material: | NBR |

